



MACK TRUCKS



MODEL

MC-400S

SERIES

STANDARD EQUIPMENT

(BASED ON MODEL MC-4925)

WHEELBASE	128" (LF 201" CA 124.5")
ENGINE: (CATERPILLAR)	13308 D.1.
Type	Naturally aspirated 8 cylinder
Bore & stroke	4.5" X 5.0"
Piston displacement, cu. in.	436
Brake hp @ 2800 rpm	210
Max. torque @ 1400 rpm	485 lb.-ft.
Lube oil filter	Full-flow spin-on
Air cleaner	Dry type
Radiator, frontal area	1,000 sq. in.
Thermostat, to open	175°
Fuel pump (Caterpillar)	Sleeve metering type
<i>They certified for State of California</i>	
FUEL TANK	50 gal., right side, steel rd.
ELECTRICAL SYSTEM: Alternator (L/N)	12 Volt, 65 Amp.
Starting System	12 Volt
Batteries (Group 4H)	(4) 6 Volt
Plates per cell 22; Amp. hr @ 20 hr. rate	165
CLUTCH:	CL 696 or CL 775
Make	Spicer or Lipe
Size	14" 2-plate or 14" 2-plate
Lining	Organic or Organic
Area of engagement	423 sq. in. or 423 sq. in.
TRANSMISSION: Model	RT 610
Type	Ten spd., direct
*Driveshaft Series (Main)	1610
(Inter-axle)	1610
FRONT AXLE: (MACK)	FAW 536C
Capacity	10,500 lbs.
BOGIE:	SS34C
Capacity	34,000 lbs.
Carriers	CRDPC 92 & CRD 93
Ratios	4.64, 5.02, 5.32, 5.73, 6.34, 7.00, 7.49, 8.24, 9.15
<i>*Driveshaft Series represents size, not manufacturer.</i>	

SIXWHEEL MACK DIESEL COE TRUCK

SPRINGS:	Front (FAW 536C)	Rear (SS34C)
Ground load rating	10,500 lbs.	34,000 lbs.
Size	55" X 3 1/4"	50" X 4"
Leaves, no. & thickness	3 @ 72"	9 @ 625"
BRAKES: Air-M/R EL1300 - 8/W Tu Flo 501 Compressors	(12.9 CFM)	(12.0 CFM)
Front (com type)	16 1/2" X 5" (314 sq. in.)	
Rear (com type)	16 1/2" X 7" (880 sq. in.)	
Auxiliary	Spring loaded type	
<i>*Not available w/ET 477.</i>		
AIR RESERVOIR	Two	
Location	Under left hand battery box	
Capacity (Total)	5,100 cu. in.	
WHEELS & TIRES:		
Wheels	Cast, spoke	
Tires	10.00-20 (12F), 7.5 Rims	
STEERING GEAR: Model	5G 26	
Steering Wheel Diameter; Ratio	22"; 32.5:1	
FRAME: Size	9" X 3 1/4" X 1/2"	
Material	Heat treated 110,000 PSI	
	Minimum Yield Strength Steel	
Section Modulus	9.76	
Resisting bending moment	1,070,000 in. lbs. per rail	
CAB: (MACK)	(incl. rider's seat) CA 53	
Type (5F" RBC)	Cab over engine, two man	
	Hydraulic 60° tilt cab	
STANDARD CHASSIS WEIGHT (LBS.)		
Front	Rear	Total

Automatic reset circuit breakers
 Back-up light
 Bumper, flush type
 Cab heater and defroster, 35,000 lbs.
 Combination stop, tail, & rear turn
 signals (2)
 Cold starting aid (excess fuel device)
 —remote control
 (Std. MC 4E75 only)
 Cab steps, each side, safety tread

Engine fan, viscous type
 Federal noise requirement
 Fender extension — front and
 rear
 Headlights
 Horn, electric, single tone
 L.S. & clearance lamp
 Low air pressure buzzer
 Rear view mirror, heat, Vent Coat
 type (black enamel finish)
 Seat belts & fasteners
 Shock absorbers, front

CHASSIS EQUIPMENT

Side reflectors
 Six wires, dual
 Tachometer, single hand type
 Tow pins, front
 Tu-Flo 500 air comp., MACK 12.5 CFM
 (Std. on MC-4E75)
 Turn signals, front & rear
 (with 4-way flasher)
 Undercoating
 Underframe exhaust
 Vibration

Warning light for spring loaded
 air brakes
 Wheel wrench and handle
 Windshield washers
 Windshield corner wind deflectors
 Windshield wipers, dual, int.
 (2) individual motors
MANDATORY OPTION:
 Rear anti-wheel lock
AVAILABLE OPTION:
 Front anti-wheel lock

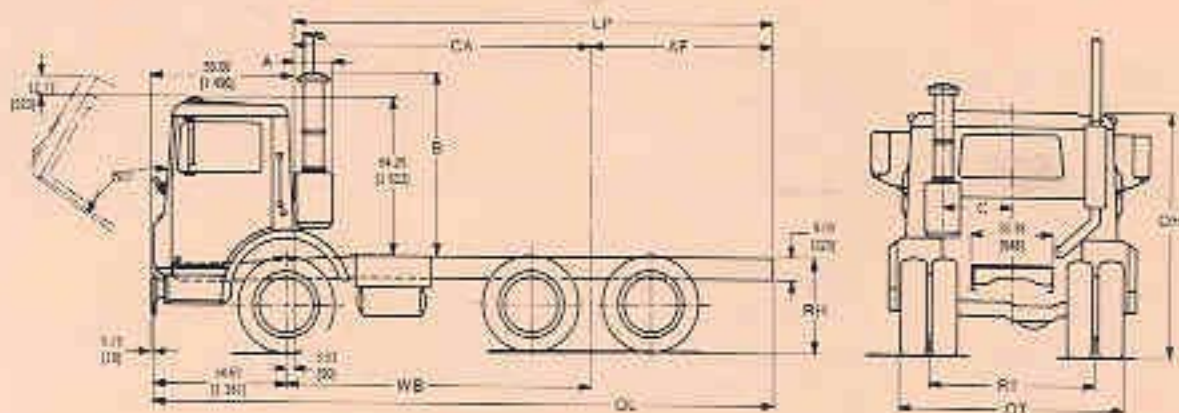
MACK TRUCKS, INC.

ONE OF THE SIGNAL COMPANIES

AUTOLIT



Automobile - Truck - Motorcycle 1900 to Present
 ORIGINAL Sales Brochures, Manuals, Books, Posters,
 Catalogs, and MUCH More. World's largest selection!



WB	LP	CA	AF	OL
128 [3 251]	201 [5 106]	124.5 [3 162]	76.5 [1 943]	293.9 [8 601]
128 [3 251]	172 [4 369]	124.5 [3 162]	47.5 [1 207]	230.9 [5 865]
143 [3 632]	187 [4 750]	139.5 [3 543]	47.5 [1 207]	304.9 [7 744]
143 [3 632]	225 [5 715]	139.5 [3 543]	85.5 [2 172]	283.9 [7 191]
159 [4 039]	249 [6 329]	155.5 [3 952]	93.5 [2 375]	307.9 [7 801]
159 [4 039]	273 [6 984]	155.5 [3 952]	117.5 [2 966]	331.9 [8 410]
173 [4 394]	273 [6 984]	189.5 [4 305]	103.5 [2 629]	331.9 [8 410]

TIRE SIZE	OH (APPROX.)	RH		FRONT TREAD	OT	RT
		EMPTY	LOADED		SPOKE WHEELS	
10.00-20	104.7 [2 557]	40.0 [1 017]	38.2 [972]	81.4 [2 067]	95.4 [2 424]	71.4 [1 813]
10.00-22	105.7 [2 585]	41.0 [1 043]	39.2 [996]	81.4 [2 067]	95.4 [2 424]	71.4 [1 813]
11.00-20	105.3 [2 675]	40.6 [1 032]	38.8 [987]	80.9 [2 054]	95.0 [2 440]	71.1 [1 806]
11.00-22	106.3 [2 700]	41.8 [1 063]	38.9 [989]	80.9 [2 054]	95.0 [2 440]	71.1 [1 806]

MAXIMUM PROTRUSION BEHIND CAB				
ENGINE	AIR CLEANER			ENGINE
	A	B	C	A
3208 D.I.	11.85 [301]	75.6 [1 923]	31.0 [787]	—
ET 477	11.85 [301]	75.6 [1 923]	31.0 [787]	5.0 [127]

[] indicates Metric (S)

MACK TRUCKS, INC.
ALLENTOWN, PA. "THE TRUCK CAPITAL OF THE WORLD"



OPTIONAL EQUIPMENT MC-400S SERIES:

ENGINE	CHASSIS MODEL	BORE & STROKE	NO. OF CYL.	DISP. CU. IN.	BHP @ RPM	MAX. TORQUE @ RPM	RADIATOR SQ. IN.
ET 477	MC-487S	4.53" X 4.92"	6	475	210 @ 2400	510 @ 1500	1,000
13208 EGR	MC-492S	4.5" X 5.0"	6	636	200 @ 2800	485 @ 1400	1,000

*Certified for State of California

WHEELBASES:

*128" WB (LP 172" CA 124.5")
*143" WB (LP 187" CA 139.5")
143" WB (LP 225" CA 139.5")
159" WB (LP 249" CA 155.5")
159" WB (LP 273" CA 155.5")
173" WB (LP 273" CA 169.5")

*Tractor application

TRANSMISSION:

MT 643 (Allison)	4 spd., automatic
------------------	-------------------

FUEL TANKS:

The following in place of STANDARD:

80 gal.	Right side, steel, round
---------	--------------------------

FRONT AXLES:

FAW 536C-W	10,500 lbs. capacity
Springs: (Taperleaf)	(STD.)
Ground load rating	10,500 lbs.
Size	55" X 3 1/2"
Leaves, no. & thickness	3@.726"
Brakes: Cam type	16 1/2" X 5" (314 sq. in.)
Wedge type	15" X 5" (314 sq. in.)

FAW 537C-W	12,000 lbs. capacity
Springs: (Taperleaf)	(STD.) (OPT.) (OPT. H.D.)
Ground load ratings	12,000 lbs. 10,500 lbs. 12,000 lbs.
Size	55" X 3 1/2" 55" X 3 1/2" 55" X 3 1/2"
Leaves, no. & thickness	3@.715" 3@.726" 3@.770"
Brakes: Cam type	16 1/2" X 5" (314 sq. in.)
Wedge type	15" X 5" (314 sq. in.)

*FAW 5361C & FAW 5371C 15" X 4" brakes; Rockwell Int'l or Wagner Electric

*Tractor application only.

ELECTRICAL SYSTEM:

Alternator	12 Volt, 85 Amp. (L/N)
	12 Volt, 75 Amp. (Delco)
	12 Volt, 90 Amp. (Delco)

WHEELS & TIRES:

Wheels (8.0 Rims)	Steel Disc
(7.5 or 8.5 Rims)	Hi-Tensile or Accu-Ride Disc
Tires, Size	10.00-22 (12P) 7.5 Rims
Size	11.00-20 or *11.00-22 (12P) 8.0 Rims
Size	12.00-20 (14P) 8.5 Rims

*Only w/55" bogie spacing.

AIR CLEANER: See Data Book Engine Section

BOGIE:

SS 34C-W	34,000 lbs. capacity
Carriers	CRDPC 92 & CRD 93
Ratios	4.64, 5.02, 5.32, 5.73, 6.34, 7.00, 7.49, 8.24, 9.15
Power divider	Inter-axle

Springs:	(STD.)	(OPT.)
Bogie spacing	50"	55"
Ground load rating	34,000 lbs.	34,000 lbs.
Size	50" X 4"	55" X 4"
Leaves, no. & thickness	9@.625"	10@.625"
Brakes: Cam type	16 1/2" X 7" (880 sq. in.)	
Wedge type	15" X 7" (880 sq. in.)	

SS 38C-W	38,000 lbs. capacity	
Carriers	CRDPC 92 & CRD 93	
Ratios	4.64, 5.02, 5.32, 5.73, 6.34, 7.00, 7.49, 8.24, 9.15	
Power divider	Inter-axle	
Springs:	(STD.)	(OPT.)
Bogie spacing	50"	55"
Ground load rating	38,000 lbs.	38,000 lbs.
Size	50" X 4"	55" X 4"
Leaves, no. & thickness	10@.788"	11@.788"
Springs:	(OPT. A/S)	(OPT. A/S)
Bogie spacing	50"	55"
Ground load rating	38,000 lbs.	38,000 lbs.
Size	50" X 4"	55" X 4"
Leaves, no. & thickness	7@.999"	8@.999"
	3@.788"	3@.788"
Brakes: Cam type	16 1/2" X 7" (880 sq. in.)	
Wedge type	15" X 7" (880 sq. in.)	

SC 38C-W	38,000 lbs. capacity
Carriers	CRDPC 92 & CRD 93
Ratios	4.64, 5.02, 5.32, 5.73, 6.34, 7.00, 7.49, 8.24, 9.15
Power divider	Inter-axle
Beam over Leaf Suspension:	(STD.)
Ground load rating	38,000 lbs.
Walking Beam:	
Material	Cast steel, I-Beam section
Springs:	
Size	50" X 4"
Leaves, no. & thickness	3@.788"
Brakes: Cam type	16 1/2" X 7" (880 sq. in.)
Wedge type	15" X 7" (880 sq. in.)

SS 441C	44,000 lbs. capacity	
Carriers	CRDPC 92 & CRD 93	
Ratios	4.64, 5.02, 5.32, 5.73, 6.34, 7.00, 7.49, 8.24, 9.15	
Power divider	Inter-axle	
Springs:	(STD.)	(OPT.)
Bogie spacing	50"	55"
Ground load rating	44,000 lbs.	44,000 lbs.
Size	50" X 4"	55" X 4"
Leaves, no. & thickness	10@.788"	11@.788"
Springs:	(OPT. A/S)	(OPT. A/S)
Bogie spacing	50"	55"
Ground load rating	44,000 lbs.	44,000 lbs.
Size	50" X 4"	55" X 4"
Leaves, no. & thickness	7@.999"	8@.999"
	3@.788"	3@.788"
Brakes: Cam type	16 1/2" X 7" (1012 sq. in.)	

SPRINGS: A/S - Anti-sway springs.

AUTOLIT



Automobile - Truck - Motorcycle 1900 to Present
ORIGINAL Sales Brochures, Manuals, Books, Posters,
Catalogs, and MUCH More. World's largest selection!



MODEL

MC-600P

SERIES

STANDARD EQUIPMENT

(BASED ON MODEL MC-606P)

WHEELBASE	133" (LP 20 1/2"; CA 129.5")
ENGINE: (MACK)	1ET 673E
Type	Turbo-Charged
Bore & stroke	4-7/8" X 6"
Piston displacement, cu. in.	672
Brake hp @ 2100 rpm	200
Max. torque @ 1500 rpm	612
Lube oil filters	Dual spin-on
Air cleaner	Dry type
Radiator, frontal area	1,000 sq. in.
Fuel pump (Robert Bosch)	Multiple plunger type
Coolant conditioner	Spin-on disposable type
Thermostat - to open	180°F
<small>(Not certified for State of California)</small>	
FUEL TANK	50 gal., right side, steel rd.
ELECTRICAL SYSTEM: Alternator (L/N)	12 Volt, 65 Amp.
Starting System	12 Volt
Batteries	(4) 6 Volt
Plates per cell 23; Amp. hr @ 20 hr. rate	165
CLUTCH:	CL 691 or CL 771
Make	Spicer or Lipe
Size	14", 2-plate or 14", 2-plate
Lining	Organic or Organic
Area of engagement	423 sq. in. or 423 sq. in.
TRANSMISSION: Model	RT 610
Type	Ten spd., direct
FRONT AXLE: Model (MACK)	FAW 536C
Capacity	10,500 lbs.
REAR AXLE: Model	RAS 512C
Capacity	23,000 lbs.
Carrier	CRS 84
Ratios	4.25, 4.63, 5.14, 5.57, 6.17, 6.83, 7.14

SPRINGS:	Front	Rear
Ground load rating	(FAW 536C) 10,500 lbs.	(RAS 512C-W) 23,000 lbs.
Size	55" X 3 1/4"	53 1/4" X 3"
Leaves, no. & thickness	3 @ .726"	9 @ .556"

BRAKES: Air M/R EL1300 - 8/W Tu Flo 501 Compressors:

	(12.9CFM)	(12.0CFM)
Front (cam type)	16 1/4" X 5" (314 sq. in.)	
Rear (cam type)	16 1/2" X 7" (440 sq. in.)	
Auxiliary	Spring loaded type	

AIR RESERVOIR

Location	Under left hand battery box
Capacity	5,100 cu. in.

WHEELS & TIRES:

Wheels	Cast, spoke
Tires	10.00-20 (12P), 7.5 Rims

STEERING GEAR: Model (MACK)

Steering Wheel Diameter: Ratio	SG 26 22" : 32.5:1
--------------------------------------	-----------------------

FRAME: Size

Material	9" X 3 1/4" X 1/4" Heat-treated 110,000 PSI Minimum Yield Strength Steel
Section Modulus	9.76 per rail
Resisting bending moment	1,070,000 in. lbs. per rail

CAB:

Type (59 BBC)	(Incl. rider's seat) CA 53 Cab over engine, two man Hydraulic 60° tilt cab
---------------------	--

STANDARD CHASSIS WEIGHT (LBS.)

Front	Rear	Total
-------	------	-------

CHASSIS EQUIPMENT

Automatic reset circuit breakers
Back-up light
Bumper - flush type
Cab heater and defroster, 35,000 Btu
Cab steps, each side, safety tread
Combination stop, tail, & rear turn signals (7)
Federal noise requirement
Engine fan, viscous type
Fender extension - frame mtg.
Headlights

Horn, electric, single tone
L.O. & clearance lamps
Low air pressure buzzer
Rear view mirror, two, West Coast type (black enamel finish)
Seat belts & retractors
Shock absorbers, front
Side reflectors
Smogvics, dual
Tachometer, single hand
Tow pins, front

Turn signals, front & rear (with 4-way flasher)
Undercoating
Underframe exhaust
Voltmeter
Warning light for spring loaded axle brakes
Wheel wrench and handle
Windshield corner wind deflectors
Windshield washers

Windshield wipers, dual, air, (7) individual motors

MANDATORY OPTION:
Rear anti-wheel lock

AVAILABLE OPTION:
Front anti-wheel lock

MACK TRUCKS, INC.

ONE OF THE SIGNAL COMPANIES

AUTOLIT



Automobile - Truck - Motorcycle 1900 to Present
ORIGINAL Sales Brochures, Manuals, Books, Posters,
Catalogs, and MUCH More. World's largest selection!

OPTIONAL EQUIPMENT MC-600P SERIES:

ENGINE	CHASSIS MODEL	BORE & STROKE	NO. OF CYL.	DISP. CU. IN.	BHP @ RPM	MAX. TORQUE @ RPM
*ETV 673E	MC-606P	4-7/8" x 6"	6	672	200 @ 2100	600 @ 1500
ENDT 675	MC-685P	4-7/8" x 6"	6	672	§235 @ 2100 (Gov'd)	906 @ 1200
*ETV 675	MC-685P	4-7/8" x 6"	6	672	§235 @ 2100 (Gov'd)	906 @ 1200
ENDT 676	MC-686P	4-7/8" x 6"	6	672	283 @ 2100	1080 @ 1200
*ETAY 676	MC-686P	4-7/8" x 6"	6	672	283 @ 2100	1080 @ 1200

*Carried for State of California

§Max. BHP 273 @ 1700

WHEELBASES:

*105" WB (LP 134", CA 101.5")
145" WB (LP 225", CA 141.5")
157" WB (LP 249", CA 153.5")
169" WB (LP 249", CA 165.5")
169" WB (LP 273", CA 165.5")
181" WB (LP 297", CA 177.5")

*Tractor application

CLUTCH: See Power Train Combinations

CL 69 Spicer, 2-plate, 14" angle spring	423 sq. in.
CL 721 Dynamax 4-plate (wet)	578 sq. in.
CL 75 Spicer, 2-plate, 14" angle spring	144 sq. in.
CL 77 Lipe, 2-plate, 14"	423 sq. in.
CL 78 Lipe, 2-plate, 14"	125 sq. in.
CL 79 Spicer, 2-plate, 15 1/2"	144 sq. in.

FRONT AXLES:

FAW 536C-W 10,500 lbs. capacity

Springs: (Taperleaf)	(STD.)
Ground load rating	10,500 lbs.
Size	55" x 3 1/4"
Leaves, no. & thickness	3 @ 726"
Brakes: Cam type	16 1/2" x 5" (314 sq. in.)
Wedge type	15" x 5" (314 sq. in.)

FAW 537C-W 12,000 lbs. capacity

Springs: (Taperleaf)	(STD.)	(OPT.)	(OPT. H.D.)
Ground load ratings	12,000 lbs.	10,500 lbs.	12,000 lbs.
Size	55" x 3 1/4"	55" x 3 1/4"	55" x 3 1/4"
Leaves, no. & thickness	3 @ 715"	3 @ 726"	3 @ 770"
Brakes: Cam type	16 1/2" x 5" (314 sq. in.)		
Wedge type	15" x 5" (314 sq. in.)		

REAR AXLES:

RAS 512C 23,000 lbs. capacity

Carrier	CRS 84
Ratios	4.63, 5.14, 5.57, 6.17, 6.83, 7.14
Springs:	(STD.) (OPT.) (OPT. H.D.)
Ground load rating	23,000 lbs. 19,000 lbs. 23,000 lbs.
Size	53 1/4" x 3" 53 1/4" x 3" 53 1/4" x 3"
Leaves, no. & thickness	9 @ 558" 6 @ 558" 11 @ 558"
	2 @ 499"
Brakes: Cam type	16 1/2" x 7" (440 sq. in.)

RAD 529C 23,000 lbs. capacity

Carrier	CRD 117
Ratios	4.62, 4.88, 5.43, 5.78, 6.36, 6.80, 7.48, 7.85, 8.39, 8.83
Springs:	(STD.) (OPT.) (OPT. H.D.)
Ground load rating	23,000 lbs. 19,000 lbs. 23,000 lbs.
Size	53 1/4" x 3" 53 1/4" x 3" 53 1/4" x 3"
Leaves, no. & thickness	9 @ 558" 6 @ 558" 11 @ 558"
	2 @ 499"
Brakes: Cam type	16 1/2" x 7" (440 sq. in.)

RAD 530C 23,000 lbs. capacity

Carrier	CRD 117
Ratios	4.25, 4.62, 4.88, 5.43, 5.78, 6.36, 6.80, 7.48, 7.85, 8.83
Springs:	(STD.) (OPT.) (OPT. H.D.)
Ground load rating	23,000 lbs. 19,000 lbs. 23,000 lbs.
Size	53 1/4" x 3" 53 1/4" x 3" 53 1/4" x 3"
Leaves, no. & thickness	9 @ 558" 6 @ 558" 11 @ 558"
	2 @ 499"
Brakes: Cam type	16 1/2" x 7" (440 sq. in.)

RAD 29C 29,000 lbs. capacity

Carrier	CRD 118
Ratios	4.23, 4.60, 4.99, 5.52, 5.98, 6.52, 7.21, 7.81, 8.52
Springs:	(STD.)
Ground load rating	29,000 lbs.
Size	51" x 3"
Leaves, no. & thickness	12 @ 499"
(Radius Rods)	3 @ 447"
Brakes: Cam type	16 1/2" x 7" (440 sq. in.)

R 170C-W 23,000 lbs.

Ratios	4.62, 4.87, 5.28, 5.86, 6.14, 6.83, 7.40
Springs:	(STD.) (OPT.)
Ground load ratings	23,000 lbs. 19,000 lbs.
Size	53 1/4" x 3" 53 1/4" x 3"
Leaves, no. & thickness	9 @ 558" 6 @ 558"
	2 @ 499"
Brakes: Cam type	16 1/2" x 7" (440 sq. in.)
Wedge type	15" x 7" (440 sq. in.)

NOTE: RAD 529C, RAD 29C or R 170C-W becomes obligatory when GCW exceeds 38,000 lbs.

HELPER SPRINGS, REAR:

Size	36" x 3"
Leaves, No. & thickness	8 @ 291"

TRANSMISSION:

Trans.	Trans. Description
TRL 1076	5 spd., direct
TRL 1078	5 spd., direct
TRDLG 1070 (Incl. Max Mixer)	7 speed
RT910	10 spd., direct
MT 654CR (Allison)	5 spd., automatic
HT 740D (Allison)	4 spd., automatic
H1 750CRD (Allison)	5 spd., automatic
HT 750DRD (Allison)	5 spd., automatic

AIR CLEANER: See Data Book Engine Section

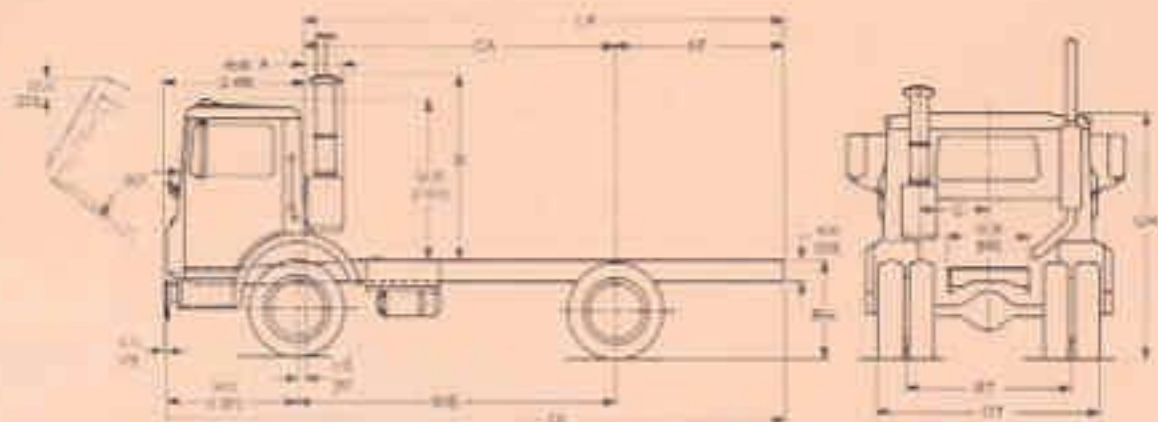
ELECTRICAL SYSTEM:

Starting	24 Volt
Alternator	12 Volt, 85 Amp. (Leco Neville)
	12 Volt, 75 Amp. (Delco)
	12 Volt, 90 Amp. (Delco)

AUTOLIT



Automobile - Truck - Motorcycle 1900 to Present
ORIGINAL Sales Brochures, Manuals, Books, Posters,
Catalogs, and MUCH More. World's largest selection!



WA	LP	CA	AF	OL
133 (3 318)	201 (5 105)	125.5 (3 288)	71.5 (1 819)	259.9 (6 501)
135 (3 414)	208 (5 283)	128.5 (3 278)	82.5 (2 070)	292.9 (7 400)
143 (3 633)	225 (5 715)	141.5 (3 584)	84.5 (2 147)	293.9 (7 471)
157 (3 968)	299 (7 575)	133.5 (3 399)	96.5 (2 453)	307.9 (7 821)
163 (4 203)	299 (7 575)	155.5 (3 954)	85.5 (2 171)	307.9 (7 821)
163 (4 203)	273 (6 994)	165.5 (4 204)	117.5 (2 981)	331.9 (8 453)
181 (4 591)	287 (7 344)	177.5 (4 506)	119.5 (3 036)	359.9 (9 130)

TIRE SIZE	OH (APPROX.)	RH		FRONT TREAD	OT	RT
		EMPTY	LOADED		SPOKE WHEELS	
10.00-20	194.7 (4 938)	40.0 (1 016)	36.2 (917)	81.4 (2 068)	95.4 (2 423)	71.4 (1 814)
10.00-22	195.7 (4 984)	41.0 (1 041)	35.2 (896)	79.0 (2 007)	95.4 (2 423)	71.4 (1 814)
11.00-20	195.3 (4 973)	40.5 (1 029)	36.2 (917)	81.9 (2 080)	96.0 (2 438)	71.1 (1 806)
11.00-22	196.3 (4 994)	41.5 (1 063)	40.0 (1 016)	80.1 (2 035)	96.0 (2 438)	71.1 (1 806)

MAXIMUM PROTRUSION BEHIND CAB				
ENGINE	AIR CLEANER			ENGINE
	A	B	C	A
ET 6/24	13.85 (350)	75.5 (1 903)	31.0 (787)	17.1 (434)
ENDT 6/5	14.57 (368)	75.0 (1 901)	31.0 (787)	17.1 (434)
ENDT 6/5	15.89 (402)	75.0 (1 901)	31.0 (787)	17.1 (434)

() Indicates Metric Size

MACK TRUCKS, INC.

ALLENTOWN, PA. "THE TRUCK CAPITAL OF THE WORLD"

1-800-368-M72

AUTOLIT



Automobile - Truck - Motorcycle 1900 to Present
ORIGINAL Sales Brochures, Manuals, Books, Posters,
Catalogs, and MUCH More. World's largest selection!



MODEL MC-600S SERIES

STANDARD TRUCK CHASSIS — COE 6-Wheel Truck

(BASED ON MODEL MC-6065)

WHEELBASE	128" (LP 201"; CA 124.5")	
ENGINE: (MACK)	†ET 673E	
Type	Turbo-Charged	
Bore & stroke	4-7/8" X 6"	
Piston displacement, cu. in.	672	
Brake hp @ 2100 rpm	200	
Max. torque @ 1500 rpm	612	
Lube oil filters	Dual spin-on	
Air cleaner	Dry type	
Radiator, frontal area	1,000 sq. in.	
Fuel pump (Robert Bosch)	Multiple plunger type	
Coolant conditioner	Spin-on disposable type	
Thermostat - to open	180°F	
<i>†Not certified for State of California.</i>		
FUEL TANK	50 gal., right side, steel, round	
ELECTRICAL SYSTEM: Alternator (L/N)	12 Volt, 65 Amp.	
Starting System	12 Volt	
Batteries	(4) 6 Volt	
Plates per cell 23; Amp. hr @ 20 hr. rate	165	
CLUTCH:	CL 691	or CL 771
Make	Spicer	Lipe
Size	14", 2-plate	14", 2-plate
Lining	Organic	Organic
Area of engagement	423 sq. in.	423 sq. in.
TRANSMISSION: Model	RT 610	
Type	Ten spd., direct	
FRONT AXLE: Model (MACK)	FAW 536C	
Capacity	10,500 lbs.	
BOGIE:	SS34C	
Capacity	34,000 lbs.	
Carriers	CRDPC 92 & CRD 93	
Ratios	4.17, 4.64, 5.02, 5.32, 5.73, 6.34 7.00, 7.49, 8.24, 9.15	

SPRINGS:	Front (FAW 536C)	Rear (SS34C)
Ground load rating	10,500 lbs.	34,000 lbs.
Size	55" X 3 1/2"	50" X 3"
Leaves, no. & thickness	3@.726"	8@.788" 2@.625"

BRAKES: Air M/R EL1300 - B/W Tu Flo 501 Compressors (12.9CFM) (12.0 CFM)	
Front (cam type)	16 1/2" X 5" (314 sq. in.)
Rear (cam type)	16 1/2" X 7" (880 sq. in.)
Auxiliary	Spring loaded type

AIR RESERVOIR	TWO
Location	Under left hand battery box
Capacity	5,100 cu. in.

WHEELS & TIRES:	
Wheels	Cast, spoke
Tires	10.00-20 (12P), 7.5 Rims

STEERING GEAR: Model (MACK)	SG 26
Steering Wheel Diameter; Ratio	22" : 32.5:1

FRAME: Size	9" X 3 1/4" X 1/4"
Material	Heat-treated 110,000 PSI Minimum Yield Strength Steel
Section Modulus	9.76 per rail
Resisting bending moment	1,070,000 in. lbs. per rail

CAB:	(Incl. rider's seat) CA 53
Type (59" B8C)	Cab over engine, two man Hydraulic 60" tilt cab

STANDARD CHASSIS WEIGHT (LBS.)
Front : Rear : Total

Automatic reset circuit breakers
Back up light
Bumper, flush type
Cab heater and defroster, 35,000 btu
Cab steps, each side; safety tread
Combination stop, tail, & rear turn signals (2)
Engine fan, viscous type
Engine stop control
Feeder extension
Headlights

Federal noise requirement
Horn, electric, single tone
I.D. & clearance lamps
Low air pressure buzzer
Rear view mirror, two, West Coast
type (black enamel finish)
Seat belts & retractors
Shock absorbers, front
Side reflectors
Sun visors, dual
Tachometer, single-hand type

CHASSIS EQUIPMENT

Tow pins, front
Turn signals, front & rear
(with 4-way flasher)
Undercoating
Underframe exhaust
Voltmeter
Warning light for spring loaded
max. brakes
Wheel wrench and handle
Windshield washers
Windshield corner wind deflectors

Windshield wipers, dual, air,
(2) individual motors

MANDATORY OPTION:
Rear anti-wheel lock

AVAILABLE OPTION:
Front anti-wheel lock

MACK TRUCKS, INC.
ONE OF THE SIGNAL COMPANIES

AUTOLIT



Automobile - Truck - Motorcycle 1900 to Present
ORIGINAL Sales Brochures, Manuals, Books, Posters,
Catalogs, and MUCH More. World's largest selection!

OPTIONAL EQUIPMENT MC-600S SERIES:

ENGINE	CHASSIS MODEL	BORE & STROKE	NO. OF CYL.	DISP. CU. IN.	BHP @ RPM	MAX. TORQUE @ RPM	RADIATOR SQ. IN.
*ETV 673E	MC-606S	4.7/8" X 6"	6	672	200 @ 2100	600 @ 1500	1,000
ENDT 675	MC-685S	4.7/8" X 6"	6	672	225 @ 2100 (Gov'd)	906 @ 1200	1,000
*ETV 675	MC-685S	4.7/8" X 6"	6	672	225 @ 2100 (Gov'd)	906 @ 1200	1,000
ENDT 676	MC-686S	4.7/8" X 6"	6	672	283 @ 2100	1080 @ 1200	1,000
*ETAV 676	MC-686S	4.7/8" X 6"	6	672	283 @ 2100	1080 @ 1200	1,000

*Certified for State of California

Max. BHP 227 @ 1700

WHEELBASES:

*128" WB (LP 172)	CA 124.5"
*143" WB (LP 187)	CA 139.5"
143" WB (LP 225)	CA 139.5"
159" WB (LP 249)	CA 155.5"
159" WB (LP 273)	CA 155.5"
173" WB (LP 273)	CA 169.5"

*Tractor application

FRONT AXLES:

FAW 536C-W 10,500 lbs. capacity

Springs: (Taperleaf) (STD.) (OPT.) (OPT. A/S) (OPT. A/S)

Ground load rating 10,500 lbs.

Size 55" X 3 1/2"

Leaves, no. & thickness 3 @ .736"

Brakes: Cam type 16 1/2" X 5" (314 sq. in.)

Wedge type 15" X 5" (314 sq. in.)

FAW 537C-W 12,000 lbs. capacity

Springs: (Taperleaf) (STD.) (OPT.) (OPT. H.D.)

Ground load ratings 12,000 lbs. 10,500 lbs. 12,000 lbs.

Size 55" X 3 1/2" 55" X 3 1/2" 55" X 3 1/2"

Leaves, no. & thickness 3 @ .715" 3 @ .726" 3 @ .770"

Brakes: Cam type 16 1/2" X 5" (314 sq. in.)

Wedge type 15" X 5" (314 sq. in.)

FAW 535T & FAW 5371C 15" X 4" brakes:
Rockwell Int'l or Wagner Electric

CLUTCH:

CL 69 Spicer, 2-plate, 14" angle spring 423 sq. in.

CL 721 Dynamax 4-plate (wet) 578 sq. in.

CL 75 Spicer, 2-plate, 14" angle spring 144 sq. in.

CL 77 Lipe, 2-plate, 14" 423 sq. in.

CL 78 Lipe, 2-plate, 14" 125 sq. in.

CL 79 Spicer, 2-plate, 15 1/2" 144 sq. in.

BOGIE:

SS 34C-W 34,000 lbs. capacity

Carriers CRDPC 92 & CRD 93

Ratios 4.17, 4.64, 5.02, 5.32, 5.73, 6.34
7.00, 7.49, 8.24, 9.15

Power divider Inter-axle

Springs: (STD.) (OPT.)

Bogie spacing 50" 55"

Ground load rating 34,000 lbs. 34,000 lbs.

Size 50" X 4" 55" X 4"

Leaves, no. & thickness 9 @ .625" 10 @ .625"

Brakes: Cam type 16 1/2" X 7" (880 sq. in.)

Wedge type 15" X 7" (880 sq. in.)

SS 38C-W 38,000 lbs. capacity

Carriers CRDPC 92 & CRD 93

Ratios 4.17, 4.64, 5.02, 5.32, 5.73, 6.34
7.00, 7.49, 8.24, 9.15

Power divider Inter-axle

Springs: (STD.) (OPT.) (OPT. A/S) (OPT. A/S)

Bogie spacing 50" 55" 50" 55"

Ground load rating 38,000 lbs. 38,000 lbs. 38,000 lbs. 38,000 lbs.

Size 50" X 4" 55" X 4" 50" X 4" 55" X 4"

Leaves, no. & thickness 10 @ .788" 11 @ .788" 7 @ .999" 8 @ .999"
3 @ .788" 3 @ .788"

Brakes: Cam type 16 1/2" X 7" (880 sq. in.)

Wedge type 15" X 7" (880 sq. in.)

SC38C-W 38,000 lbs. capacity

Carriers CRDPC 92 & CRD 93

Ratios 4.17, 4.64, 5.02, 5.32, 5.73, 6.34
7.00, 7.49, 8.24, 9.15

Power Divider Inter-axle

Beam over leaf suspension: (STD.)

Ground load rating 38,000 lbs.

Walking beam: Material Cast steel, I-beam section

Springs: Size 50" X 4"

Leaves, no. & thickness 3 @ .788"

Brakes: Cam type 16 1/2" X 7" (880 sq. in.)

Wedge type 15" X 7" (880 sq. in.)

SS 441C 44,000 lbs. capacity

Carriers CRDPC 92 & CRD 93

Ratios 4.17, 4.64, 5.02, 5.32, 5.73, 6.34
7.00, 7.49, 8.24, 9.15

Power divider Inter-axle

Springs: (STD.) (OPT.) (OPT. A/S) (OPT. A/S)

Bogie spacing 50" 55" 50" 50"

Ground load rating 44,000 lbs. 44,000 lbs. 44,000 lbs. 44,000 lbs.

Size 50" X 4" 55" X 4" 50" X 4" 55" X 4"

Leaves, no. & thickness 10 @ .788" 11 @ .788" 7 @ .999" 8 @ .999"
3 @ .788" 3 @ .788"

Brakes: Cam type 16 1/2" X 7" (1012 sq. in.)

SW441C 44,000 lbs. capacity

Carriers CRDPC 92 & CRD 93

Ratios 4.17, 4.64, 5.02, 5.32, 5.73, 6.34
7.00, 7.49, 8.24, 9.15

Power divider Inter-axle

Walking beam: (STD.)

Ground load rating 44,000 lbs.

Material Fab. steel, I beam section

Load centers—50" bogie spacing 50"

(Opt.) 55" bogie spacing 55"

Brakes: Cam type 16 1/2" X 7" (1012 sq. in.)

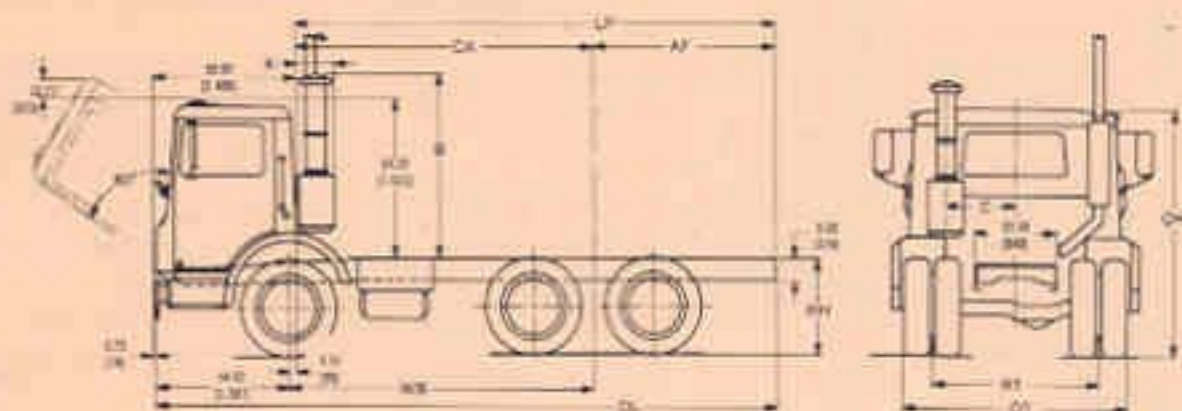
TRANSMISSION:

Trans.	Trans. Description
TRD 722	10 spd. duplex
TRD 7220	9 spd. overgear
TRDLG 1070 (incl. Maxi-Miser)	7 speed

AUTOLIT



Automobile - Truck - Motorcycle 1900 to Present
ORIGINAL Sales Brochures, Manuals, Books, Posters,
Catalogs, and MUCH More. World's largest selection!



WB	LP	CA	AF	OL
125 (3 251)	201 (5 109)	124.5 (3 362)	16.5 (1 943)	259.9 (6 602)
128 (3 251)	172 (4 389)	124.5 (3 362)	47.5 (1 207)	259.9 (6 602)
143 (3 632)	187 (4 790)	125.5 (3 343)	47.5 (1 207)	304.9 (7 744)
143 (3 632)	229 (5 719)	125.5 (3 343)	85.5 (2 172)	283.9 (7 191)
159 (4 029)	249 (6 329)	125.5 (3 362)	93.5 (2 372)	307.9 (7 801)
159 (4 029)	278 (7 094)	125.5 (3 362)	117.5 (2 982)	311.9 (7 910)
173 (4 394)	278 (7 094)	125.5 (4 309)	108.5 (2 709)	331.9 (8 410)

TIRE SIZE	OH (APPROX.)	RH		FRONT TREAD	OT	RT
		EMPTY	LOADED			
10.00-20	104.7 (2 657)	40.0 (1 017)	38.2 (971)	81.4 (2 067)	95.4 (2 424)	71.4 (1 812)
10.00-22	105.7 (2 685)	41.0 (1 042)	38.2 (994)	81.4 (2 067)	95.4 (2 424)	71.4 (1 812)
11.00-20	105.3 (2 675)	40.5 (1 027)	38.8 (987)	80.9 (2 054)	95.0 (2 410)	71.1 (1 804)
11.00-22	105.3 (2 700)	41.8 (1 060)	38.8 (989)	80.9 (2 054)	95.0 (2 408)	71.3 (1 808)

MAXIMUM PROTRUSION BEHIND CAB				
ENGINE	AIR CLEANER			ENGINE
	A	B	C	
ET 673E	11.85 (301)	75.6 (1 908)	31.0 (787)	17.1 (434)
ENDT 675	14.97 (379)	75.6 (1 908)	31.0 (787)	17.1 (434)
ENDT 610	15.80 (401)	75.6 (1 908)	31.0 (787)	17.1 (434)

[] indicates Metric SI

MACK TRUCKS, INC.
 ALLENTOWN, PA. "THE TRUCK CAPITAL OF THE WORLD"





MACK

The Greatest Name In Trucks

Cruise-Hauler

MODEL

MC 686 RT 4X2

Description

A lightweight tractor unit, designed to be way out in front both on fast haul motorways and on the steep climbs when hauling the increased payloads possible.

Increased payloads because of the ultra-high tensile steel used, the strongest and lightest superior performance in terms of journey times, pulling ability AND fuel consumption from the Maxidyne/Maxitorque power train combinations.

Maxidyne engines develop substantially constant horsepower over their normal operational range (1200-1800 rpm) and have an exceedingly high torque back-up. This accounts for the high average road speeds; the brisk hill climbing ability with little gear shifting; and low fuel consumption figures.

Manoeuvrability in confined spaces is a very practical proposition with a turning angle of 45° being possible from the front wheels (11.00 x 20 tyres).

Model MC 686 RT

WHEELBASE: 133" (3370mm)
with options

ENGINE: MACK ETAB 675B

Type: In line 8 cylinder, Turbocharged, Open Chamber, intercooled.

Bore and Stroke: 4 $\frac{1}{4}$ " x 6ins (112mm x 152mm)

Piston Displacement: 672 cu ins. (11.0 litres)

Power Output (to BS Au 141a): 306 bhp @ 1800 rpm

Max. Torque (to BS Au 141a): 1150 lb/ft @ 1200 rpm
(1559.1 Nm)

Air Cleaner: dry type

Engine Brake: Mack Dynastard

CLUTCH: SPICER CLS 751

Type: Twin plate, self adjusting, ceramic disc

Area: 144 sq. ins. (9300 sq. mm)

TRANSMISSION: MACK TRDLG 1070

Type: Maxitorque, constant mesh, triple countershaft

Speeds: 7 speeds (five plus two from air split shift on fourth and fifth gears)

Ratios: 8.59, 4.99, 2.94, 1.66, 1.29, 1.00, 0.78

FRONT AXLE: MACK FAW 537C

Type: Reverse Elliott, drop forged 1" beam

Capacity: 13,200 lbs (6087 Kg)

REAR AXLE: MACK RAD 529C

Type: Double reduction, spiral bevel unit

Ratio: 4.25:1

Capacity: 23,000 lbs (10,433 Kg)

FRAME: MACK Heat treated, High tensile

Yield Strength: 110,000 psi

Dimensions: 13 $\frac{1}{4}$ " x 3 $\frac{1}{4}$ " x $\frac{1}{2}$ " (333mm x 83mm x 6.5mm)

BRAKE SYSTEM: Full Air

Type: Three line system, S-cams operated. Spring parking brakes to front & rear axles

Lining Area: 4866cm² 754A²

Dimensions: Front Rear

Drum Diam: 16.5ins (420mm) 16.5ins (420mm)

Width: 5.0ins (127mm) 7.0ins (178mm)

Thickness: 0.75ins (19.5mm) 0.75ins (19.5mm)

Automatic Drain Valve: Fitted

STEERING GEAR: Integral, full power

ELECTRICAL SYSTEM: 12V 90 amp alternator

Batteries: 4 x 6 volt

Lighting circuit: 12 volt

Starter circuit: 24 volt

MACK TRUCKS

AUTOLIT



Automobile - Truck - Motorcycle 1900 to Present
ORIGINAL Sales Brochures, Manuals, Books, Posters,
Catalogs, and MUCH More. World's largest selection!

FUEL TANKS: Round, Steel
Capacity: Offside 80 gals (U.S.) 303.2 Ltrs.

WHEELS: Cast Spoke or Disc
Size: 8.0" rim

TYRES: 11.00 x 20
Make: Michelin XZZ 10PR or similar
Spare wheel and tyre supplied.

CAB: MACK **CAR 53**
Type: Forward control. All steel shell. GRP door panels.
Right hand drive.
Hydraulic 60° cab tilt.
Tinted laminated screen.
National Cushionaire driver seat.
Deluxe Rider Seat.
Twin Grover air horns.
Hooter.

INSTRUMENTATION:

Speedometer, oil pressure, voltmeter, tachometer, water temp., air pressure gauge with low pressure buzzer.

ENGINE PROTECTION:

Kybur alarm for low water level, high water temp., low oil pressure.

OTHER EQUIPMENT:

Tyre inflation valve and hose.
Silicone hoses (cooling system).
Chrome grill.
Tow hook.
Tool kit.

UNLADEN WEIGHT: 5770 Kgs approx. (Inc. 5th wheel)

DESIGN WEIGHT: 37.4 tons (38,000 Kgs)

PLATED WEIGHT: 32 tons (32,512 Kgs)

DIMENSIONS



WB	LP	CA	AF	DL
3 378 (133)	5 225 (201)	3 289 (129.5)	1 816 (71.5)	6 601 (259.5)
2 667 (105)	3 404 (134)	1 578 (62.5)	875 (34.5)	4 900 (192.8)

TIRE SIZE	OH (APPROX.)	RM EMPTY	RM LOADED	FRONT TREAD	OT SPOKE WHEELS	RT SPOKE WHEELS
10.00-20	2 659 (104.7)	1 016 (40.0)	570 (22.5)	2 068 (81.4)	2 423 (95.4)	1 814 (71.4)
11.00-20	2 675 (105.3)	1 031 (40.6)	585 (23.0)	2 080 (81.9)	2 438 (96.3)	1 806 (71.1)

Specifications subject to change without notice. Illustrations are not necessarily a representation of standard specifications.

"Built like a Mack Truck"

MACK DISTRIBUTORS (UK) LIMITED, FIRWOOD WORKS, THICKETFORD RD., BOLTON, LANC. TEL: (0204) 591241

