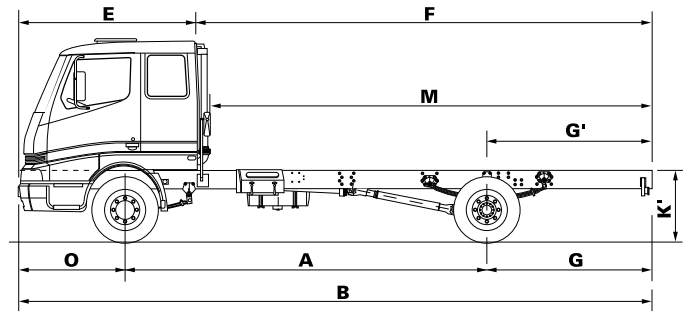


PROFESSIONAL 518

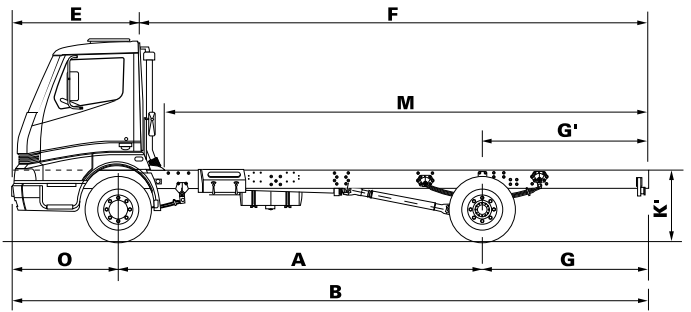
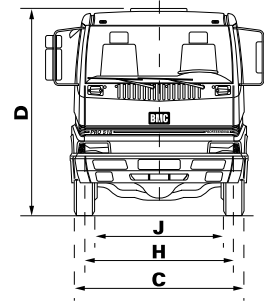
CAB TYPE	Sleeper cab (LHX), Day cab (FHX)
CHASSIS FRAME USAGE	Haulage (LHX - FHX)
AXLE CONFIGURATION	4 x 2
ENGINE	
MAKE/MODEL	CUMMINS B 160 10 (Euro 1)
TYPE	Turbo, intercooler, diesel
NUMBER OF CYLINDERS	6
TOTAL DISPLACEMENT	5.880 lt
MAXIMUM POWER	162 PS (119 kW)@2500 rpm
MAXIMUM TORQUE	569 Nm@1400 rpm
FUEL SYSTEM	
FUEL INJECTION PUMP MAKE	BOSCH AD
FUEL TANK CAPACITY	115 lt
CLUTCH	
TYPE	Helical springs, single dry disk, air assisted hydraulic
DRIVEN PLATE DIAMETER	350 mm (14 inch)
GEAR BOX	
MAKE/MODEL	ZF 6S 850 OVD
NUMBER OF GEARS	6 forward, 1 reverse synchromesh
AXLES	
FRONT AXLE TYPE, CAPACITY	"I" section, forged steel, 4480 kg
REAR AXLE CAPACITY	8480 kg
DIFFERENTIAL	
MAKE/MODEL	MERITOR 125E
NUMBER OF SPEEDS	Single speed
AXLE RATIO	4.30:1
STEERING SYSTEM	
STEERING BOX MAKE/MODEL	ZF 8043
TYPE	Integral type, hydraulic
BRAKE SYSTEM	
TYPE	Full air service brake, air actuated spring parking brake, disk brakes, exhaust brake retarder
SUSPENSION	
FRONT AXLE	Parabolic leaf spring+shock absorbers
REAR AXLE	Parabolic leaf spring+shock absorbers
ANTI-ROLL BAR	Front and rear
CHASSIS FRAME	"C" section steel profile
TYRES	245/70 R 19.5, (6 +1) tubeless
RIMS	7.5 x 19.5
ELECTRICAL SYSTEM	
VOLTAGE	24 V, negative (+) ground
BATTERIES	2 x 12 V, 90 Ah
ALTERNATOR	24 V, 55 A
STARTER MOTOR	24 V, 3.5 kW

FEBRUARY 25, 2003 / 63YD131511

The manufacturer reserves the right to modify design and specifications without prior notice.



Sleeper cab



Day cab

DIMENSIONS (mm)	Sleeper cab	Day cab
A : Wheelbase	4850	4600
B : Overall length	8155	8155
C : Overall width	2312	2312
D : Overall height	2585	2585
E : Bumper to back of cab	2310	1690
F : Back of cab to end of frame	5750	6370
G : Rear overhang	1955	2205
G' : Chassis rear overhang	1860	2110
H : Front track	1865	1865
J : Rear track	1755	1755
K' : Frame height on rear axle	950	950
M : Useful chassis length	5540	6080
N' : Frame width-rear	860	860
O : Front overhang	1350	1350

WEIGHTS (kg)	Sleeper cab	Day cab
Kerb weight, total	3885	3780
Capacity (including body and payload only)	8105	8210
Maximum permissible total weight, front	4100	4100
Maximum permissible total weight, rear	7890	7890
Gross vehicle weight	11990	11990

PERFORMANCE	Sleeper cab	Day cab
Gradeability, tan (AS GVW) (%)	30.3	30.3
Maximum geared speed (kph)	111.7	111.7



GENERAL MANAGEMENT & FACTORY: Kemalpaşa Caddesi No: 32 35060 İzmir - TURKEY Tel: (90-232) 479 20 00 Fax: (0232) 479 13 64 - 479 12 88
E-Mail: fabrika@bmcsan.com • [http:// www.bmcsan.com](http://www.bmcsan.com)
SALES (EXPORTS) & SERVICE: Kemalpaşa Caddesi No: 32 35060 İzmir - TURKEY Tel: (90-232) 479 18 70 (PBX) Fax: (0232) 479 08 48
E-Mail: exportsales@bmc.com.tr
U.K. OFFICE: Havenfields, Aylesbury Road, Great Missenden Bucks HP 16 9 LS ENGLAND Tel: (44) 1494-89 08 88 Fax: (44) 1494-89 08 84