

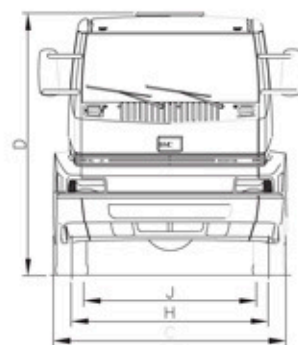
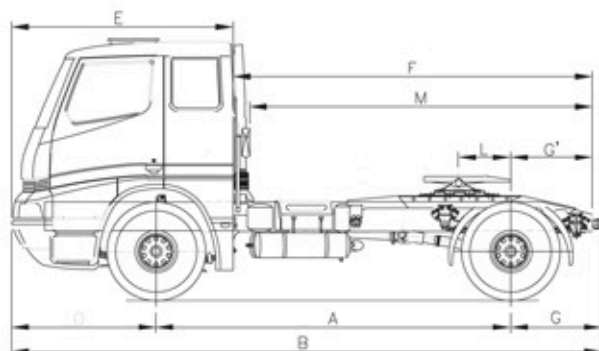
PROFESSIONAL

832



PROFESSIONAL 832 YCX (4X2)

CAB TYPE	High roof, sleeper cab with two beds
CHASSIS FRAME USAGE	Tractive unit
WHEEL CONFIGURATION	4x2
ENGINE	
MAKE/MODEL	Cummins C 300 20 (Euro 2)
TYPE	Turbo intercooler, diesel
NUMBER OF CYLINDERS	6
TOTAL DISPLACEMENT	8.3 lt
MAXIMUM POWER	300 PS (221 kW) @ 2200 rpm
MAXIMUM TORQUE	1125 Nm @ 1400 rpm
FUEL INJECTION	
MAKE/MODEL	Bosch/In line type
FUEL TANK CAPACITY	450 lt
CLUTCH	
TYPE	Helical springs, twin dry disc, air assisted hydraulic
DRIVEN PLATE DIAMETER	350 mm (14")
GEAR BOX	
MAKE/MODEL	ZF 16 S 109 DT
NUMBER OF GEARS	16 forward synchromesh, 2 reverse
FRONT AXLE	
TYPE, CAPACITY	"I" section forged steel, 7000 kg
REAR AXLE	
MAKE/TYPER	Meritor Carrier MS18
NUMBER OF SPEEDS	Single speed, hub reduction
AXLE RATIO	4.56:1
CAPACITY	13000 kg
STEERING SYSTEM	
STEERING BOX MAKE/MODEL	HEMA (ZF) 8098 Servocom
TYPE	Integral type, hydraulic
BRAKE SYSTEM	
	Full air service brake, air actuated spring parking brake, ABS/ASR, Exhaust brake
SUSPENSION	
FRONT AXLE	Parabolic leaf spring + telescopic shock absorbers
REAR AXLE	Air suspension + telescopic shock absorbers
ANTI-ROLL BAR	Front and Rear
CHASSIS	
PROFILE TYPE	"C" section steel profile
TYRES	295 / 80 R 22.5, 6+1 tubeless
RIMS	8.25 x 22.5, 10 wheel nuts
ELECTRICAL SYSTEM	
VOLTAGE	24 V, negative (-) ground
BATTERIES	2 x 12 V, 150 Ah
ALTERNATOR	70 A
STARTER MOTOR	24 V, 7.8 kW



DIMENSIONS (mm)

A: Wheelbase	3700
B: Overall length	6155
C: Overall width	2410
D: Overall height	3050
E: Bumper to back of cab	2335
F: Back of cab to end of frame	3725
G: Rear overhang	950
G1: Chassis rear overhang	855
H: Front track	2070
J: Rear track	1838
K: Frame height on front axle	980
K1: Frame height on rear axle	1125
L: Distance from Fifth wheel to rear axle	544
M: Useful chassis length	5954
N: Frame width-front	975
N1: Frame width-rear	800
O: Front overhang	1505

WEIGHTS (kg)

Kerb weight	6860
Kerb weight, front axle	4460
Kerb weight, rear axle	2400
Payload (including body)	33140
Max. permissible total weight, front	7000
Max. permissible total weight, rear	13000
Gross vehicle weight	40000

PERFORMANCE

Gradeability, tan ^α (at GCW) (%)	30
Max. geared speed (km/h)	90

GENERAL MANAGEMENT & FACTORY: Kemalpaşa Caddesi No: 32 35060 İzmir-TURKEY **Tel:** (+90 232) 477 18 00 **Fax:** (+90 232) 477 18 77
 477 18 78-477 18 79 **Web Site:** www.bmc.com.tr **EXPORT SALES:** Kemalpaşa Caddesi No: 32 35060 İzmir-TURKEY **Tel:** (+90 232) 477 18 00 (PBX)
Fax: (+90 232) 477 18 33 **E-Mail:** exportsales@bmc.com.tr **UK OFFICE:** Havenfields, Aylesbury Road, Great Missenden Bucks HP 16 9 LS ENGLAND
Tel: (+44) 1494-89 08 88 **Fax:** (+44) 1494-89 08 84 **E-Mail:** bmc.uk@btinternet.com

The manufacturer reserves the right to modify design and specifications without prior notice.