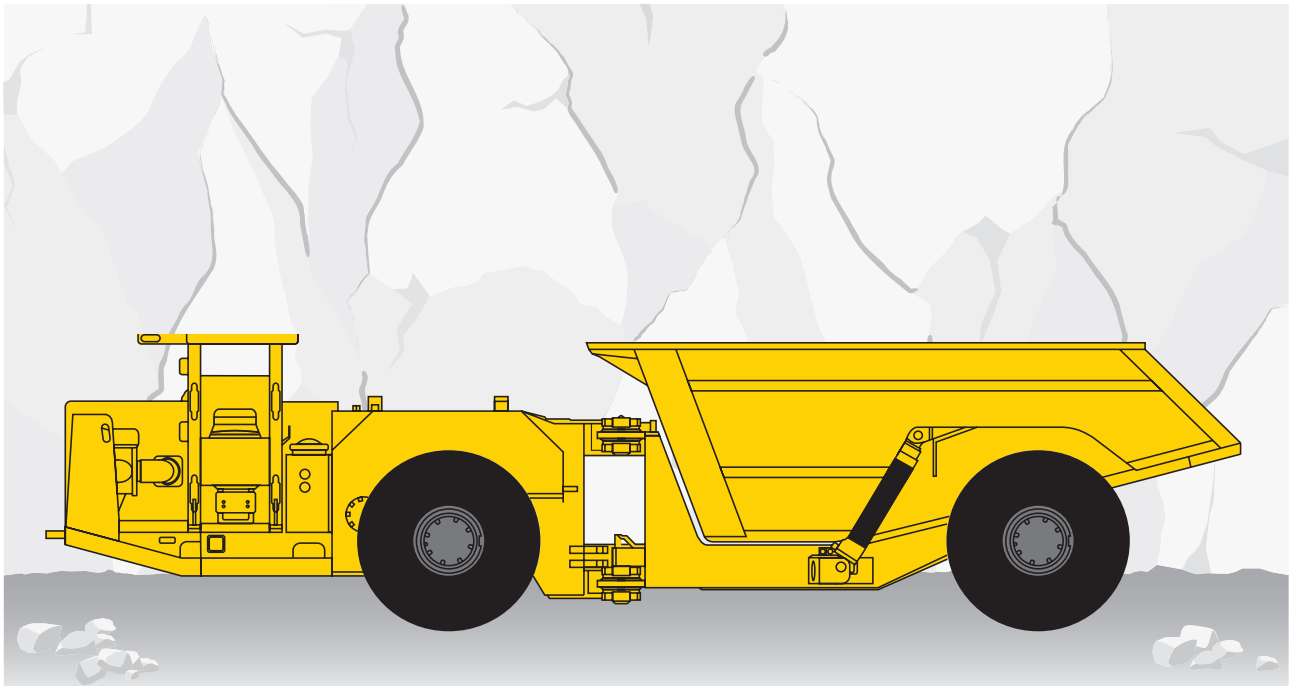


Atlas Copco Underground trucks

Minetruck MT436B

Technical specification



The Minetruck MT436B is a 32.6 metric ton capacity underground truck, for large operations, in mining and construction.

Features

- ISO ROPS/FOPS canopy with back protection
- Jacobs engine brake provides increased brake life, automatic engine over speed protection, and reduced heat from breaking
- Electric transmission shift control for convenient shifting
- Converter lockup offers better power transfer, less heat and longer component life
- Centralized lubrication simplifies maintenance
- SAHR brake system offers long component life and very reliable breaking

Specifications

Capacity

Tramming	32 650 kg
----------	-----------

Motion times

Dump box

Dumping	14 seconds
---------	------------

Engine

- Detroit Diesel engine DDEC IV Series 60, EPA Tier2/EU Stage 2
- Power rating at 2 100 rpm 298 kW/400 hp
- Maximum torque at 1 350 rpm 1 898 Nm
- MSHA Part 7 ventilation rate 793 m³/min
- MSHA Part 7 particulate index 241 m³/min
- Dry type air cleaner
- Exhaust heat protection
- Remote engine oil drain
- Cooling package with V-core radiator

Transmission

- Full power shift, 4 speed forward/reverse
- Dana 6000 Series

Converter

- Single stage with Lock Up
- Dana CL-8000 Series

Axles

- Spiral bevel differential, full floating, planetary wheel end drive
- Rock Tough 508
- Conventional front differential
- Rear axle, trunnion mounted, self-lubricating bushings
- Degree of oscillation 18° (9° each side)

Brakes

- Fully enclosed, force cooled, multiple wet discs at each wheel end
- Service/parking/emergency SAHR

Tyres

Tubeless, nylon, smooth tread design for underground mine service, on demountable rims

- Dimension 26.5R25, L4*

* As applications and conditions vary, Atlas Copco recommends that the user consults with tyre suppliers to obtain the optimum tyre selection

Operator's compartment

- Canopy; ISO ROPS/FOPS approved
- Side seated operator for bi-directional operation
- Grammer seat with retractable seat belts
- Two pilot operated joysticks for steering and dump control

Hydraulic system

- System pressure 15.8 MPa
- Hydraulic tank capacity 238 litres
- Filtration, return line 4.0 µm
- Heavy duty gear type pumps
- Cylinders, double acting, chrome plated stems, diameter:
 - Steer cylinders (2) 152 mm
 - Dump cylinders (2) 228 mm

Electrical system

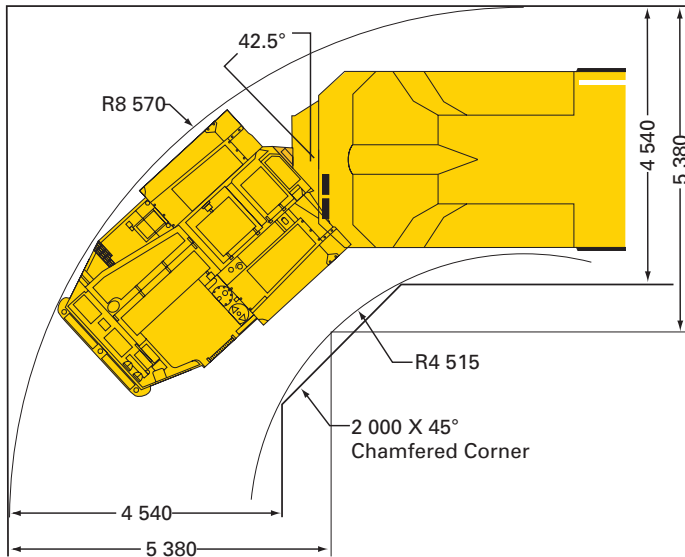
- Voltage, system start & accessories 24 V
- Alternator, high output 140 A
- Hydraulic warning system; level, hyd. temp
- Hella projection lights 4 x x70W
- Isolation switch lockout

Fuel

- Fuel tank capacity 439 litres
- Fuel consumption, full load 35.5 litres/hour
- Fuel filtration 8.0 µm
- Anti-siphon fuel supply



Turning radius



- Turning angle +/- 42.5°
- Turning radius left and right are symmetrical
- Dimensions shown are based on standard vehicle configuration with 25 mm tyre deflection
- All dimensions are shown in millimetres

Grade performance

NB. 3% rolling resistance assumed. Actual performance may vary depending on the application

Standard configuration, box empty

Percent grade	0.0	2.0	4.0	6.0	8.0	10.0	12.0	14.0	16.0	18.0	20.0
Ratio					1:12	1:10	1:8	1:7			1:5
1st gear (km/h)	5.01	5.00	4.99	4.98	4.96	4.95	4.94	4.93	4.92	4.91	4.90
2nd gear (km/h)	8.95	8.92	8.88	8.84	8.81	8.77	8.73	8.70	8.66	8.62	8.59
3rd gear (km/h)	15.82	15.70	15.6	15.59	15.47	15.36	15.24	14.22	13.14	11.68	10.05
4th gear (km/h)	28.10	27.73	27.36	26.40	22.73	17.56					

Standard configuration, box loaded

Percent grade	0.0	2.0	4.0	6.0	8.0	10.0	12.0	14.0	16.0	18.0	20.0
Ratio					1:12	1:10	1:8	1:7			1:5
1st gear (km/h)	4.99	4.97	4.94	4.92	4.90	4.87	4.85	4.83	4.80	4.78	4.76
2nd gear (km/h)	8.89	8.82	8.74	8.67	8.59	8.51	7.87	7.12	6.08	4.97	
3rd gear (km/h)	15.63	15.39	15.16	13.36	10.29						
4th gear (km/h)	27.51	24.03									

Optional equipment

Main frame

- Wheel chocks
- Shipping covers, cabin
- Tele dump

Ergonomics

- Enclosed, cabin
- Heater
- Air conditioner, cabin
- KAB 555 seat with retractable seatbelts cabin
- Side seated with steering wheel, canopy

System

- Ansul dual bottle fire suppression with engine shutdown

- Electric hydraulic tank fill pump
- Lincoln auto lube with timer
- Electric brake release pump

Electrical system

- Amber strobe light - power on
- Load lights
- Side lights- opposite operator's cabin
- Tail and brake lights
- Front and rear red lights 2 each
- Block heater, 240 V
- 24/12 V power converter cabin

Controls and instruments

- Blockout 3rd and/or 4th gears (only side seated versions)
- Fuel gauge in panel (front seated cabin)
- Load man weighing system
- Speedometer
- Automatic transmission control
- Back up camera and monitor

Power unit

- Epoxy coated radiator

Documentation

- CatBase parts catalogue, CD
- LinkOne parts catalogue, CD
- Parts and service manual - plasticized
- Extra DDEC manual kit

Parts and Services

- Preventive maintenance kits
- Repair and rebuild kits
- Upgrade kits
- Face mechanics tool set
- Shop mechanics tool set
- Service tool box for RCS

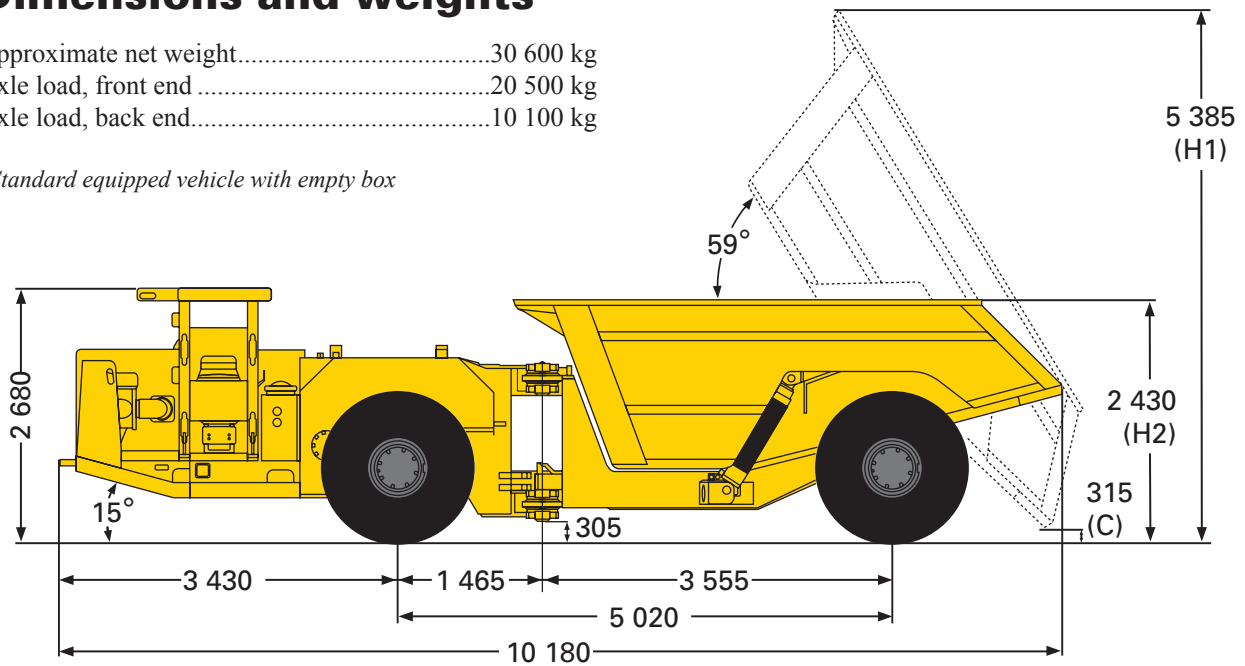
Dump boxes

Dump box data		STD			
Material density (t/m ³)		1.8	2.0	2.2	2.4
Volume, SEA struck (m ³)		16.6	14.4	13.0	11.8
Volume, Semi-heaped (m ³)		18.4	16.3	14.8	13.8
Volume, SAE heaped (m ³)		20.2	18.2	16.7	15.8
Width, dump box (mm)	W	3 355	3 355	3 050	3 050
		3 050	3050		
Dump position: Box height, max (mm)	H1	5 440	5 320	5 410	5 240
		5 520	5 385		
Tramming position: Dump box height (mm)	H2	2 510	2 430	2 370	2 255
		2 595			
Dump position: Clearance (mm)	C	210	315	350	250

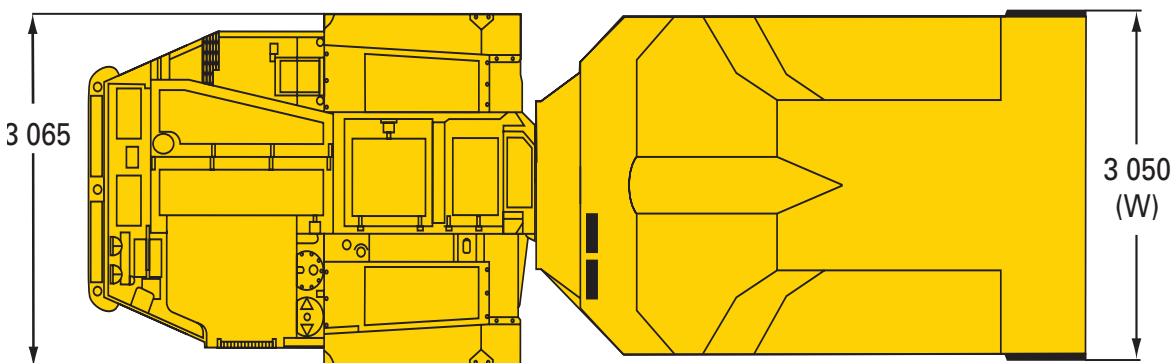
Dimensions and weights*

Approximate net weight.....30 600 kg
 Axle load, front end20 500 kg
 Axle load, back end.....10 100 kg

*Standard equipped vehicle with empty box



Side view



Top view

- Dimensions shown are based on standard vehicle configuration with 25 mm tyre deflection
- All dimensions are shown in millimetres.