

AMG AMG AMG



VATT P 14 MOUNTED AS DRILL RIG CARRIER

VATT BUGGY P 14

hydraulic drive

wheeled off the road vehicle

payload 8 000 kg (17 360 lbs)
gww 14 000 kg (30 860 lbs)

AMG

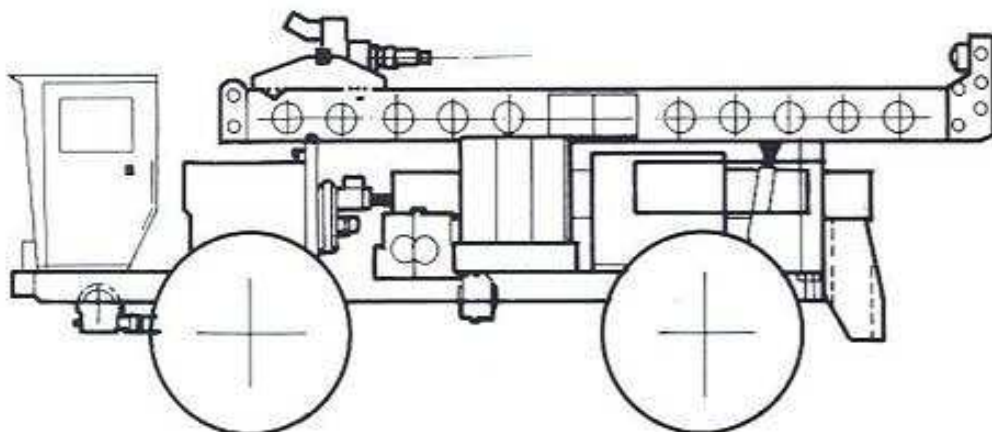
OFFICE: ROUTE DE BARBAZAN VALENTINE
PO. BOX. 69 - 31802 SAINT-GAUDENS CEDEX FRANCE
TEL. (33) 61 89 07 92 - TELEX 520 526 - TELEFAX (33) 61 95 24 54

VATT BUGGY P 14

APPLICATIONS

The VATT P 14 is installed according to customer specifications for the location: deserts, marshes, jungles, cold area, and its needs: watertank, geophones and cables platform, personnel carrier, recording cab.

The VATT P 14 is specially designed for easy mounting of AMG's TD 300, TD 500, TD 1000 Drilling Rig.



GENERAL DESCRIPTION	Multi-purpose wheeled vehicle available in several configurations, designed for all types of terrain.
ENGINE	DEUTZ model F8L 413 F Diesel 8 cylinders 204 hp at 2 300 rpm (DIN 6270 A). Other engines available.
PUMP DRIVE	One heavy duty, three-pump drive, power divider.
HYDROSTATIC TRANSMISSION	One piston type variable displacement pump, closed loop circuit combined with one piston type variable displacement hydraulic motor.
TRANSFER CASE	ZF model AVG 150, two speeds driven by hydraulic motor.
STEERING	Hydraulic power steering combined with dual hydraulic cylinders on front axle.
AXLES	Front steering axle ZF APL 6H. Rear axle ZF APL 9 H. No spin differential standard on front and rear axles.
BRAKES	Hydraulic power, foot operated, service brake. Dual calliper disc on each wheel. Fail safe parking brake.
FRAME	High tensile electrically welded steel tubing suitable for mounting various equipment, with built-in brush guard.
CAB	4 man cab, heavy duty steel plate. Fully insulated with escape hatch. Full instrumentation: ammeter, water temperature, oil temperature, oil pressure, ignition switch, clock, fuel, level gauge.
ELECTRICAL	Complete 12 V system with 150 Ah heavy duty battery.
WINCH	8 000 daN capacity.
TIRES	GOOD YEAR Super Terra 66 x 43-25 PR6 Tubeless.
GRADEABILITY	Forward 50 % sidehill 25 %.
FUEL TANK	300 dm ³ capacity.
PERFORMANCE	Turning radius: 117 m, 38 ft. Maximum speed: 30 km/h, 20 miles/h. Ground clearance: 540 mm, 22 in. Wet ground pressure with a 14 tons load: 0.4 kg/cm ² , 6 lb/in ² .
WEIGHT	Curb weight: 6 000 kg, 13 230 lb. Payload : 8 000 kg, 17 630 lb. GVW : 14 000 kg, 30 860 lb.
DIMENSIONS	Width: 3 600 mm, 12 ft. Wheelbase: 3 960 mm, 13 ft 4 in. Overall length: 7 300 mm, 243 ft. Front height: 3 000 mm, 10 ft.

Specifications are for standard unit, they can be changed without notice. For other optional equipment mounts, please contact AMG.