

AMG AMG AMG



VATT P8 SHOWN WITH AMG TD 500 DRILL

VATT BUGGY

MARSH BUGGY VATT P 5.
OFF-THE-ROAD VEHICLE VATT P 8.
tough • reliable • adaptable • powerful

AMG

OFFICE : ROUTE DE BARBAZAN VALENTINE
31800 SAINT-GAUDENS
B.P. 69 - 31800 SAINT-GAUDENS - TEL. (61) 89.07.92
TELEGRAM : AMG SAINT-GAUDENS - TELEX 520 526

VATT BUGGY

APPLICATIONS

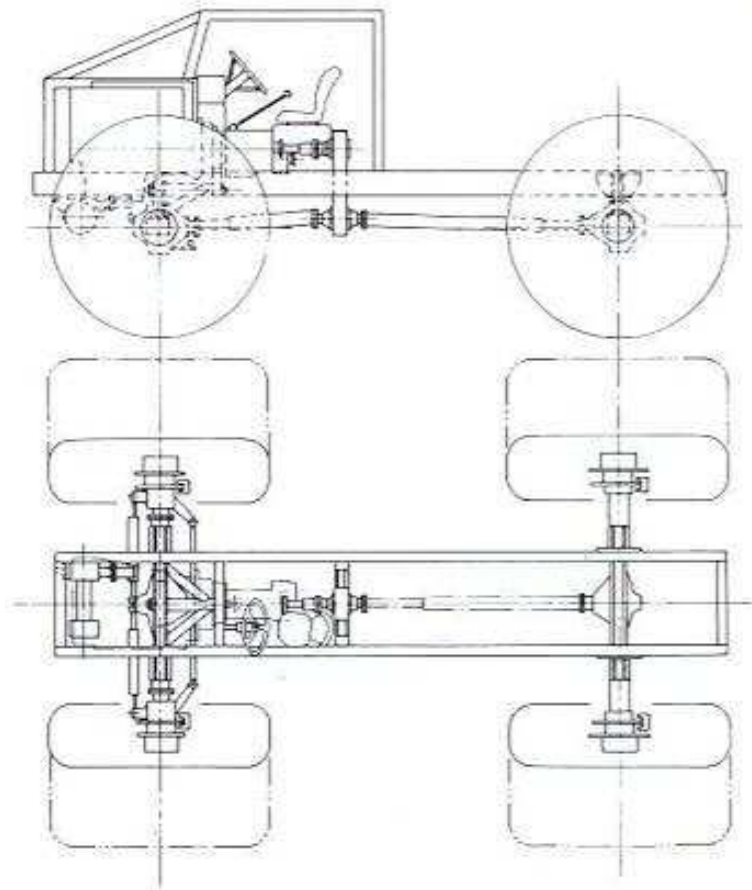
The VATT is installed according to customer specifications requested for the location: deserts, marshes, jungles, cold area, and the associated requirements: watertank, geophones and cables platform, drilling by PTO, personnel carrier, recording cab.

Other fittings and items are available on request.

The VATT P 5 is amphibious without any flotation tank.

The VATT P 8 climbs a forward grade of up to 35°.

The VATT P 8 is designed for easy mounting of AMG's TD 500 drill.



	VATT P 5 AMPHIBIOUS	VATT P 8 OFF-THE-ROAD VEHICLE
PAYLOAD - GVW	1.200 kg - 5.200 kg.	4.400 kg - 8.000 kg.
SIZE	overall length 4.900 mm. overall width 3.720 mm. wheelbase 3.500 mm.	overall length 5.170 mm. overall width 2.490 mm. wheelbase 3.500 mm.
TIRES	GOOD YEAR TERRA-TIRE 66 x 43 - 25 or equivalent.	GOOD YEAR POWER TORQUE 23 x 1 - 26 or equivalent.
AXLES	Front steering axle ZF APL 5D. Rear axle ZF AP 5. No spin differential standard on front and rear axles.	Front steering axle ZF APL 5D. Rear axle ZF AP 5. No spin differential standard on front and rear axles.
BRAKES	Dual calliper disc type, foot operated hydraulic power brakes on each wheel, mechanical parking brake.	Dual calliper disc type, foot operated hydraulic power brakes on each wheel, mechanical parking brake.
STEERING	Two hydraulic cylinders - DANFOSS OMS 315 hydraulic power steering.	Two hydraulic cylinders - DANFOSS OMS 315 hydraulic power steering.
TURNING RADIUS	10 meters on chassis center line.	10 meters on chassis center line.
ENGINE	Deutz model F 4 L 912 Diesel 4 cyl 74 HP or equivalent	Deutz model F 6L 912 Diesel 6 cyl 112 HP or equivalent.
COUPLING GEAR	Fichtel - Sachs G 310 mechanically operated.	Fichtel - Sachs G 310 mechanically operated.
TRANSMISSION	ZF S5 - 35 - Five speeds - Synchromesh. Optional : Full power take-off N 352/10 Auxiliary power off N 352/2 C	ZF S5 - 35 - Five speeds - Synchromesh. Optional : Full power take-off N 352/10 Auxiliary power off N 352/2 C
TRANSFER CASE	AMG model 5.522 single speed	AMG model 5.522 single speed
CAB	Seats Roll bar Cab	2 optional optional
FRAME	High tensile electrically welded steel tube with built in brush guard.	High tensile electrically welded steel tube with built in brush guard.
WINCH	5.000 daN capacity. Optional.	5.000 daN capacity. Standard.
ELECTRIC SYSTEM	Complete 12 V system with 75 AH heavy duty battery.	Complete 12 V system with 75 AH heavy duty battery.
INSTRUMENTS	Ammeter, water temperature gauge, oil pressure gauge, key ignition.	Ammeter, water temperature gauge, oil pressure gauge, key ignition.
FUEL TANK CAPACITY	100 liters.	100 liters.